

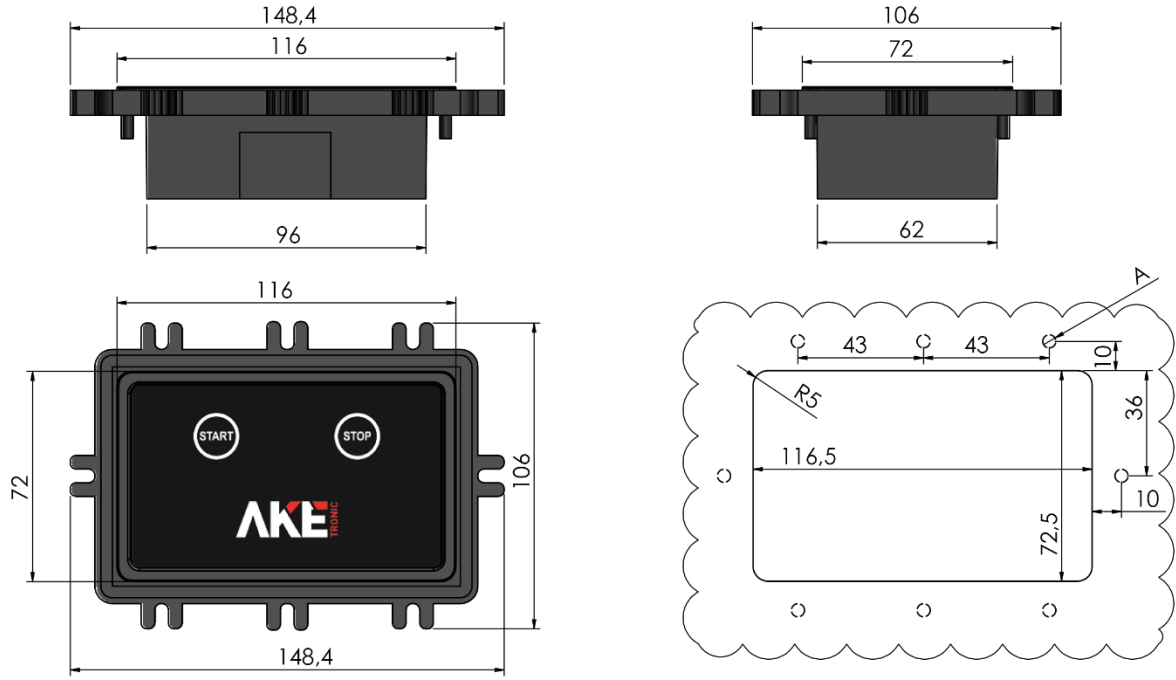
AKE.200.002.01.01
SINGLE-PHASE START
STOP CONTROLLER
USER MANUAL



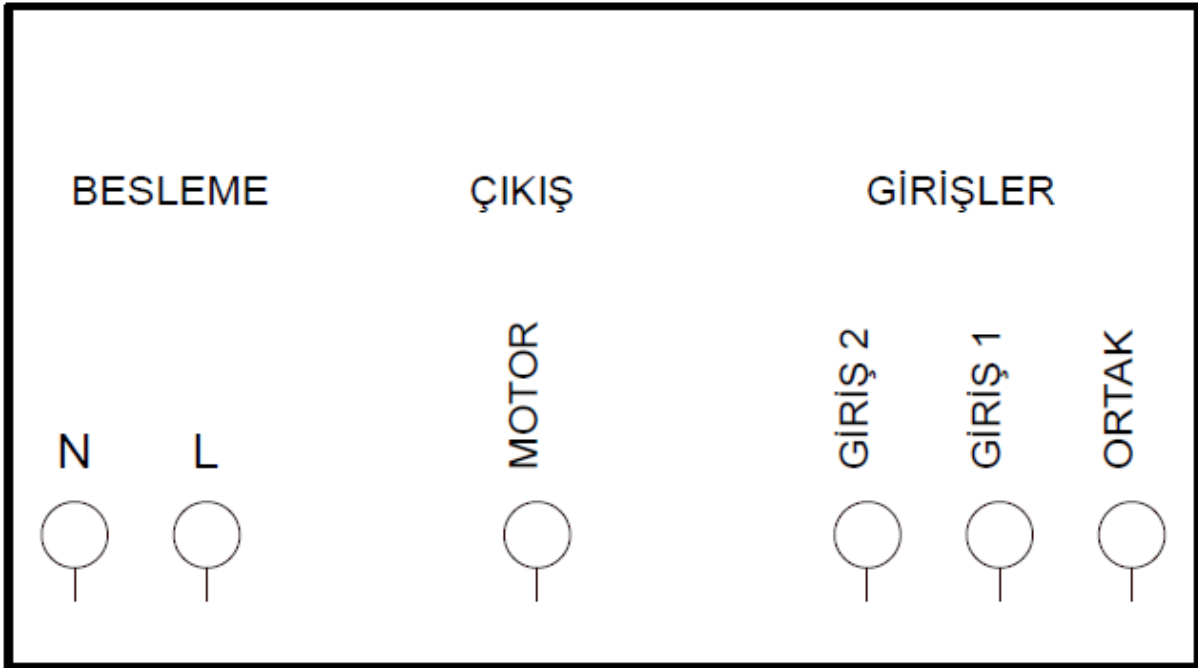
AKE **TRONIC**[®]

ELECTRONIC SYSTEMS

1.DEVICE DIMENSIONS



2.DEVICE CONNECTION DIAGRAM

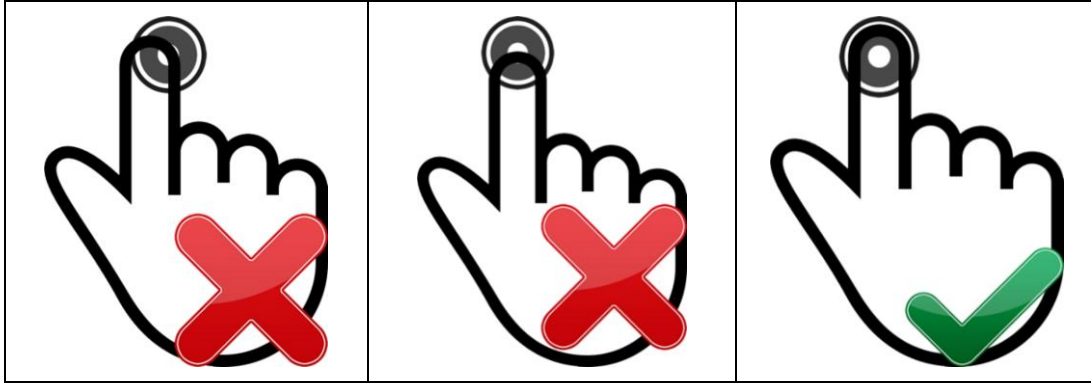


3. CAUTIONS

- Be sure to read the operating instructions before using the appliance and follow the instructions and cautions in the manual when using the appliance. Otherwise the responsibility for accidents and damages that may belong to the buyer.
- Installation and connection of the device should be done by experienced technicians in accordance with the diagram. Otherwise the responsibility belongs to the buyer.
- The operating ambient temperature of the device should be between 0 to 50 °C.
- The supply voltage must be checked before the device is energized.
- Precautions must be taken to prevent liquid flow into the device and metal chips to conduct. Otherwise, there may be accidents such as fire and electric shock.
- In case of any malfunction, do not interfere with the device. If the malfunction continues, notify the service in writing with the explanation.
- Electrical and mechanical precautions must be taken to prevent accidents and damages if the device is broken while being attached to the machine.
- Never remove the warranty label. Otherwise, your device is not covered by the warranty. The appliance must be repaired by authorized service personnel.
- The cables carrying the sensor and input signals to the device shall be prevented from being moved and influenced separately as far as possible from the inductive load cables operating as feed, control, switching.
- Shielded cables should be selected for the cables that carry the sensor and input signals to the device, and the cable shield must be connected to the ground.
- If more than one electronic device is used, separate feeder lines for each device must be towed. Insulation traces and line filters should be used on the supply line where there is excessive electrical noise.
- No control circuit should be connected to the device supply line.
- The appliance should be cleaned with a soft, damp cloth with a front panel. Thinner etc. do not use substances.
- Please do not use high-torque screwdrivers when mounting the device.

4. HOW TO USE TOUCH PANEL

- When the machine is power on, do not touch all buttons until the light of the On / Off button is on.
- As indicated in the following illustration



5. DEVICE FEATURES

It is an elegant and stylish control panel designed for running Single-Phase Start-Stop Controller. It provides ease of use with its high sensitivity touch buttons. It sets its users with technology with warning lights, audible warning system, and clear displays. It has control function on contactor and thermic usage with the help of current reading sensor and high power output features. The user safety prioritize under favour of the safing sensor that can easily connect to control panel. The flexible, impact resistant, waterproof panel makes cleaning easier and its lifetime longer.

5.1 STANDARD TECHNICAL SPECIFICATIONS

- 2 units LED illuminated touch button
- 1 unit phase output (Max: 220VAC-30A)
- Current Protecting Sensor (Max: 220V-20A)
- 1 unit dry contact digital input
- 220-240VAC operating voltage
- Warning buzzer system
- Impact resistant, waterproof, joint protection front panel
- Plastic enclosure

5.2 OPTIONAL FEATURES



- Customer Specific Label and Software Changing
- Choosing Over Current Value

5.3 DEVICE MODELS

- AKE-T-MSSA-001 2-4A operating range

- AKE-T-MSSA-002 4-6A operating range
- AKE-T-MSSA-003 6-8A operating range
- AKE-T-MSSA-004 8-10A operating range
- AKE-T-MSSA-005 10-12A operating range

6.DEVICE FUNCTIONS

	START: Please touch start button to activate machine when machine has energy.
	STOP: Please touch stop button to in activate machine when machine has energy.

7.DEVICE MALFUNCTION SITUATION

When device pass over current current limit, the warning buzzer system is activated.In the case of this failure, please shut off energy.