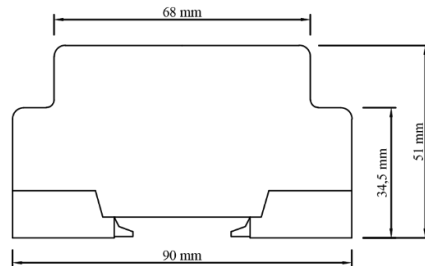
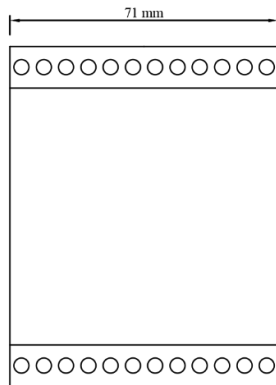
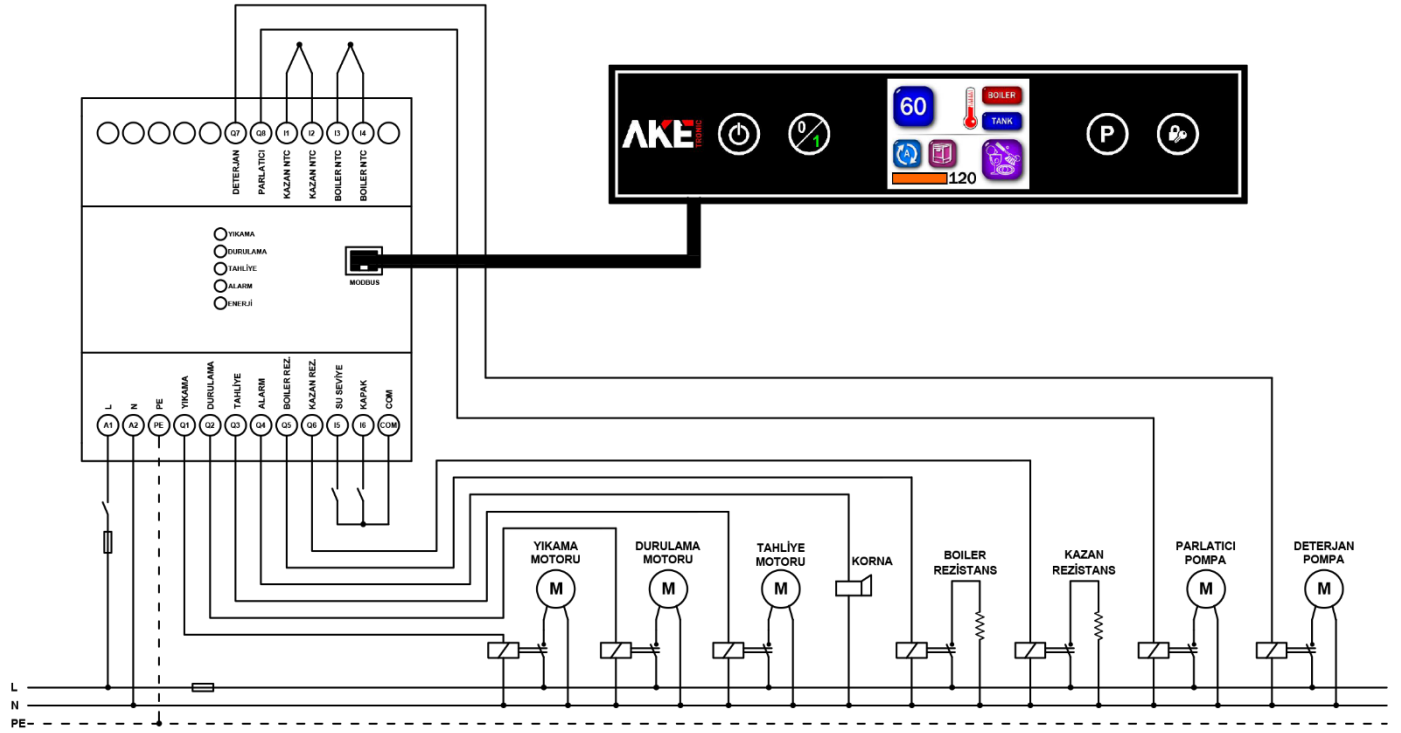


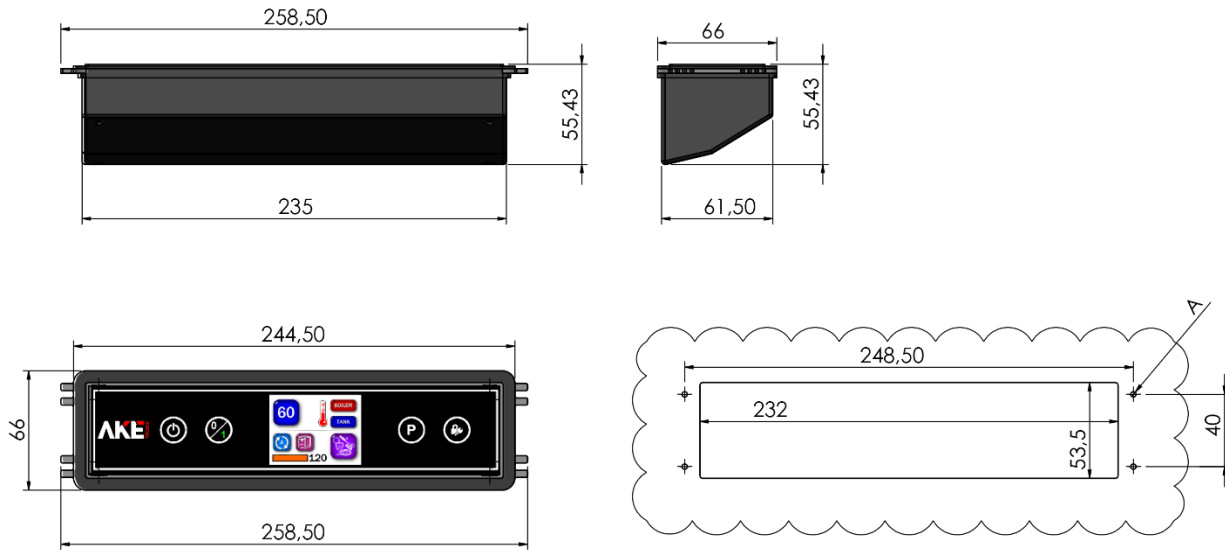
AKE.R004.01.01

DISHWASHER CONTROLLER PLUS USER MANUAL



AKE **TRONIC**[®]
ELECTRONIC SYSTEMS





<u>Operating Voltage</u>	:230V AC
<u>Operating Frequency</u>	:50Hz
<u>Control Type</u>	:Touch Button TFT Digital Panel
<u>Washing Time Setting Range (for sec.)</u>	:30-60-90-120-180
<u>Drain Time(for sec.)</u>	:180
<u>Output Contact</u>	:8 units 230V AC
<u>Digital Input Number</u>	:2 units
<u>NTC Input Number</u>	:2 units
<u>Maximum Switching Current</u>	:10A
<u>Maximum Switching Power:</u>	250W
<u>Operating Temperature Range</u>	:0-50°C
<u>Storage Temperature</u>	:0-70°C
<u>Protection Class</u>	:IP 20
<u>Connection Mode</u>	:Rack Mounting

Device Functions :

Dishwasher Controller BYM 302 has 8 relay outputs which control washing, drain, rinse, boiler heater and vessel heater functions. Program selection can be made on digital control panel. When device energised, washing relay energised with selection washing program. In the case of lack of water and signal reach to water level input, rinse output is activated to make the water. When boiler heater output and vessel heater output temperatures are lower than adjusted temperature, heating operation is activated. In the case of enough water and temperature, washing operation starts. When washing operation is over, washing relay release energy too. After pending for 3 seconds, rinse relay is energised. Drain relay is energised to drain excess water at the same time. After completing rinse operation, alarm relay is energised and warning buzzer system and warning optical system are activated to notify that washing

operation is over. When Drain Mode is selected on Panel, drain relay is energised and drain operation happens. When the signal reach to gate input, device is automatically stop. Program may be altered when device is activated. The altered program is activated according to new time of program.

Program selections:

P1 : 30 seconds

P2 : 60 seconds

P3 : 90 seconds

P4 : 120 seconds

P5 : 180 seconds

T : 180 seconds drain operation.